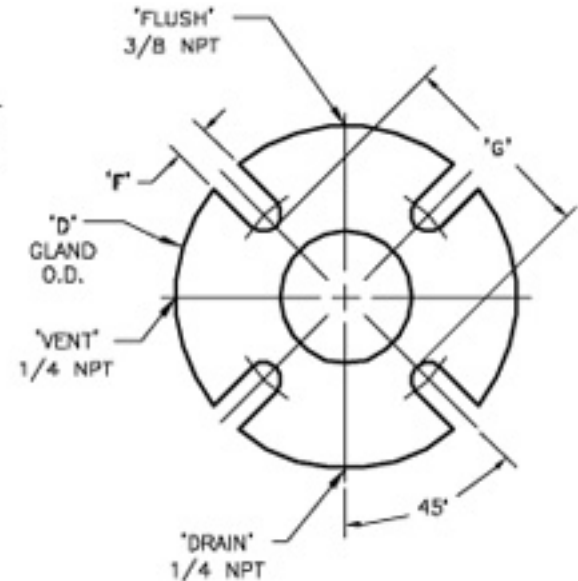
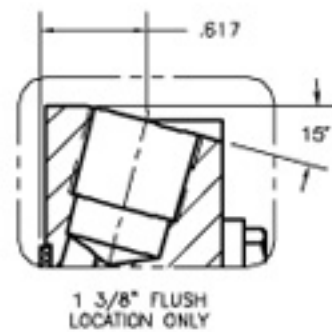
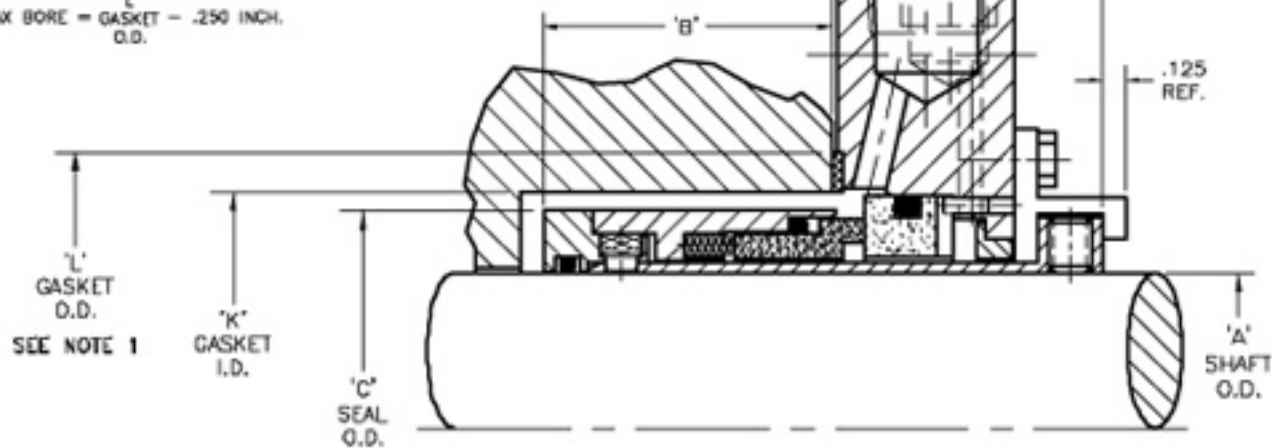


SIZE	A	B	C	D	E	F	G	H	J	GASKET	
										K	L
-18	1.000	1.633	1.700	4.000	1.531	.437	2.375	.531	.657	1.790	2.230
-18	1.125	1.633	1.700	4.250	1.531	.437	2.462	.531	.657	1.915	2.355
-20	1.250	1.633	1.950	4.250	1.531	.437	2.583	.531	.657	2.040	2.480
-22	1.375	1.633	1.950	4.250	1.531	.437	2.712	.617	.688	2.165	2.605
-24	1.500	1.833	2.200	4.500	1.531	.562	2.950	.531	.657	2.415	2.855
-28	1.625	1.833	2.325	5.000	1.531	.562	3.075	.531	.657	2.540	2.980
-28	1.750	1.833	2.450	5.500	1.531	.562	3.188	.531	.657	2.665	3.105
-30	1.875	1.833	2.575	5.500	1.531	.562	3.313	.531	.657	2.790	3.230
-32	2.000	1.582	2.700	5.500	1.594	.562	3.570	.582	.719	3.040	3.490
-34	2.125	1.582	2.825	6.000	1.594	.687	3.687	.500	.719	3.165	3.605
-38	2.250	1.539	2.950	6.250	1.656	.687	3.813	.595	.782	3.290	3.730
-38	2.375	1.714	3.195	6.250	1.656	.687	3.937	.531	.782	3.415	3.855
-40	2.500	1.650	3.320	6.500	1.720	.687	3.937	.500	.845	3.500	3.935
-42	2.625	1.650	3.560	6.500	1.720	.687	4.198	.500	.845	3.625	4.070
-44	2.750	1.589	3.650	7.500	1.781	.687	4.438	.500	.907	3.820	4.320
-46	2.875	1.712	3.785	7.500	1.781	.687	4.625	.658	.907	3.950	4.450
-48	3.000	1.822	3.900	8.000	1.781	.687	5.062	.658	.907	4.075	4.700
-50	3.125	1.970	4.050	8.000	1.781	.687	5.062	.658	.907	4.200	4.825
-52	3.250	1.922	4.175	8.250	1.781	.687	5.187	.658	.907	4.325	4.950
-54	3.375	1.970	4.300	8.500	1.781	.812	5.312	.658	.907	4.450	5.075
-58	3.500	1.860	4.430	8.500	1.843	.812	5.438	.687	.989	4.575	5.200
-58	3.625	1.908	4.555	8.500	1.843	.812	5.562	.687	.989	4.700	5.325
-60	3.750	1.860	4.680	8.750	1.843	.812	5.688	.687	.989	4.825	5.450
-62	3.875	1.908	4.900	8.750	1.843	.812	5.812	.687	.989	4.950	5.575
-64	4.000	1.750	5.150	9.000	1.843	.812	6.063	.687	.989	5.325	5.950

NOTE:
1. MAX BORE = GASKET - .250 INCH. O.D.



NOTE: RS3 DESIGN IS SHOWN HERE. THE RS1 SEAL IS SIMILAR, BUT DOES NOT INCLUDE THE VENT & DRAIN CONNECTIONS OR THROTTLE BUSHING.

BLACK-A-SEAL
P.O. BOX 184 / 1 JACKSON ST.
ESSEX JUNCTION, VT 05453
(802) 874-6507

STYLE RS1/RS3 ROTATING
MULTI-SPRING CARTRIDGE SEAL

DWG # **SK1859**

REV.