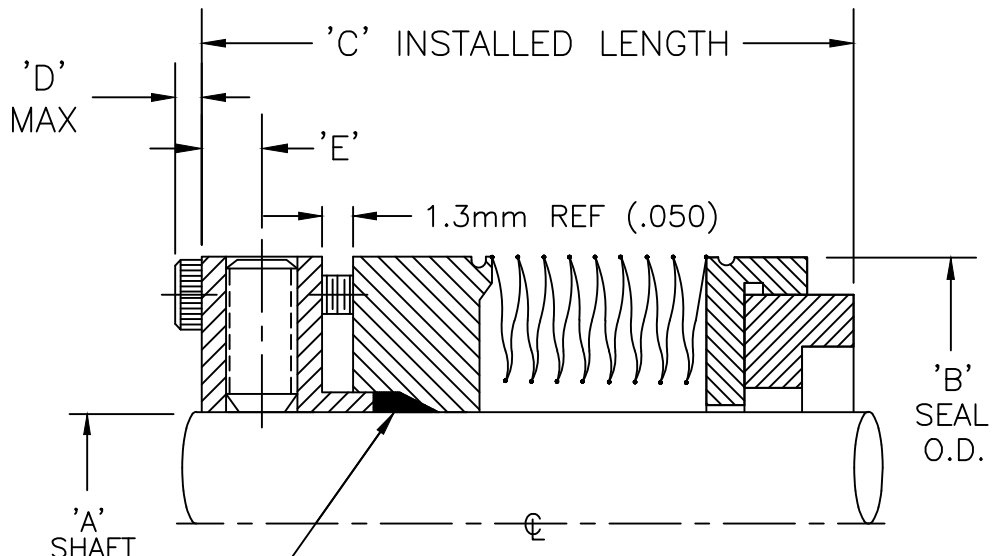


SHAFT A	BELLOWS SIZE	O.D. B	INSTALL LG. C	'D'	'E'	CUP POINT SET SCREWS	SOCKET HEAD CAP SCREWS
25mm(.984)	-16X	39.7 (1.562)	42.8 (1.687)	3.2 (.125)	4.4 (.172)	(3) x 1/4"	(6) 5-40 x 5/8" LG
28mm(1.102)	-18	42.8 (1.687)	39.7 (1.562)	↑	4.4 (.172)	(3) x 1/4"	(6) 5-40 x 5/8" LG
30mm(1.181)	-20X	46 (1.812)	42.8 (1.687)	↑	4.4 (.172)	(3) x 1/4"	(6) 5-40 x 5/8" LG
32mm(1.260)	-20X	46 (1.812)	42.8 (1.687)	↑	4.4 (.172)	(3) x 1/4"	(6) 5-40 x 5/8" LG
33mm(1.299)	-22	49 (1.937)	44.5 (1.750)	↓	4.8 (.188)	(3) x 1/4"	(6) 5-40 x 5/8" LG
35mm(1.378)	-22	49 (1.937)	↑	3.2 (.125)	4.8 (.188)	(3) x 1/4"	(6) 5-40 x 5/8" LG
38mm(1.496)	-24X	55.1 (2.170)	↑	4.2 (.164)	4.8 (.188)	(3) x 1/4"	(6) 8-32 x 5/8" LG
40mm(1.575)	-26	58.3 (2.295)	↑	↑	4.8 (.188)	(3) x 1/4"	(6) 8-32 x 5/8" LG
43mm(1.693)	-28	61.5 (2.420)	↑	↑	4.8 (.188)	(3) x 1/4"	(6) 8-32 x 5/8" LG
45mm(1.772)	-28	62.3 (2.452)	↑	↑	4.8 (.188)	(3) x 1/4"	(6) 8-32 x 5/8" LG
48mm(1.890)	-30	64.6 (2.545)	↑	↑	4.8 (.188)	(3) x 1/4"	(6) 8-32 x 5/8" LG
50mm(1.969)	-32	67.8 (2.670)	↓	↑	4.8 (.188)	(3) x 1/4"	(6) 8-32 x 5/8" LG
53mm(2.087)	-34	⑤ 71.0 (2.795)	44.5 (1.750)	↑	4.8 (.188)	(3) x 1/4"	(6) 8-32 x 5/8" LG
55mm(2.165)	-36	74.2 (2.920)	47.6 (1.875)	↑	4.8 (.188)	(3) x 1/4"	(6) 8-32 x 5/8" LG
60mm(2.362)	-38	77.3 (3.045)	↑	↑	4.8 (.188)	(3) x 1/4"	(6) 8-32 x 5/8" LG
63mm(2.480)	-40	81.0 (3.187)	↑	↑	4.8 (.188)	(4) x 1/4"	(8) 8-32 x 5/8" LG
65mm(2.559)	-42	84.1 (3.312)	↑	↑	4.8 (.188)	(4) x 1/4"	(8) 8-32 x 5/8" LG
68mm(2.677)	-44	87.3 (3.437)	↑	↓	4.8 (.188)	(4) x 1/4"	(8) 8-32 x 5/8" LG
70mm(2.756)	-44	87.3 (3.437)	↑	4.2 (.164)	4.8 (.188)	(4) x 1/4"	(8) 8-32 x 5/8" LG
75mm(2.953)	-46	95.3 (3.750)	↑	4.8 (.190)	4.8 (.188)	(6) x 1/4"	(6) 10-24 x 5/8" LG
80mm(3.150)	-50	98.4 (3.875)	↑	↑	4.8 (.188)	(6) x 1/4"	(6) 10-24 x 5/8" LG
85mm(3.346)	-54	105 (4.125)	↑	↑	4.8 (.188)	(8) x 1/4"	(8) 8-32 x 5/8" LG
90mm(3.543)	-56	109.5 (4.312)	↑	↑	4.8 (.188)	(6) x 1/4"	(6) 10-24 x 5/8" LG
95mm(3.740)	-60	114.3 (4.500)	↓	↑	4.8 (.188)	(8) x 1/4"	(8) 10-24 x 5/8" LG
100mm(3.937)	-64	120.7 (4.750)	47.6 (1.875)	↓	4.8 (.188)	(12) x 1/4"	(12) 10-24 x 5/8" LG
120mm(4.724)	-76	142.9 (5.625)	50.8 (2.000)	4.8 (.190)	4.8 (.188)	(12) x 1/4"	(12) 10-24 x 5/8" LG

DIMENSIONS IN PARENTHESIS ARE INCHES

④ ④ ⑥



— STYLE 60 — GRAFOIL SHAFT PACKING
— STYLE 65 — 316 ST.ST. SHAFT PACKING

6	1995	2/7/09	JK
5	1696	10/26/05	JK
4	1676	9/7/05	JK
3	1661	8/1/05	TH
2	070	3/19/96	B.P.
REV.	ECN#	DATE	REV. BY

METRIC
STYLE 60/65
HIGH TEMPERATURE
WELDED METAL
BELLOWS SHAFT SEAL

FLEX-A-SEAL, INC.
1 JACKSON ST. • P.O. BOX 184
ESSEX JUNCTION, VERMONT 05453
(802) 878-8307

SK1051

REV.
6