

SIZE	A	B	C	D	E	F	G	H	J	K
-18	1.125	1.700	1.750	2.219	2.031	2.062	1.693	4.250	.437	2.463
-20	1.250	1.950	2.000	2.344	2.000	2.125	1.699	4.250	.563	2.749
-22	1.375	1.950	2.000	2.395	2.031	2.062	1.698	4.250	.437	2.813
-24	1.500	2.200	2.250	2.657	2.082	2.125	1.699	4.500	.563	2.949
-26	1.625	2.325	2.375	2.782	2.082	2.125	1.699	5.000	.563	3.124
-28	1.750	2.450	2.500	2.844	2.062	2.125	1.699	5.500	.563	3.312
-30	1.875	2.575	2.625	2.970	2.062	2.125	1.699	5.500	.563	3.249
-32	2.000	2.700	2.750	3.095	2.062	2.125	1.699	5.500	.563	3.569
-34	2.125	2.825	2.875	3.572	2.082	2.125	1.699	6.000	.688	3.687
-36	2.250	2.950	3.000	3.714	2.062	2.125	1.699	6.250	.688	3.812
-38	2.375	3.195	3.250	3.750	2.062	2.125	1.699	6.250	.688	4.000
-40	2.500	3.320	3.375	3.822	2.082	2.125	1.699	6.500	.688	4.124
-42	2.625	3.560	3.625	4.072	2.062	2.125	1.699	6.500	.688	4.249
-44	2.750	3.660	3.750	4.250	2.312	2.230	1.729	7.500	.688	4.438
-46	2.875									
-48	3.000	3.920	4.000	4.718	2.460	2.415	1.916	8.000	.688	5.062
-50	3.125									
-52	3.250	4.175	4.250	4.750	2.462	2.375	1.874	8.250	.750	5.188
-54	3.375									
-56	3.500	4.450	4.750	5.215	2.355	2.375	1.874	8.500	.813	5.437
-58	3.625									
-60	3.750	4.680	4.750	5.469	2.460	2.415	1.916	8.750	.813	5.688
-62	3.875									
-64	4.000									
-66	4.125									
-68	4.250									
-70	4.375									
-72	4.500									
-74	4.625									
-76	4.750	5.680	5.750	6.469	2.475	2.525	2.023	9.750	.813	6.688

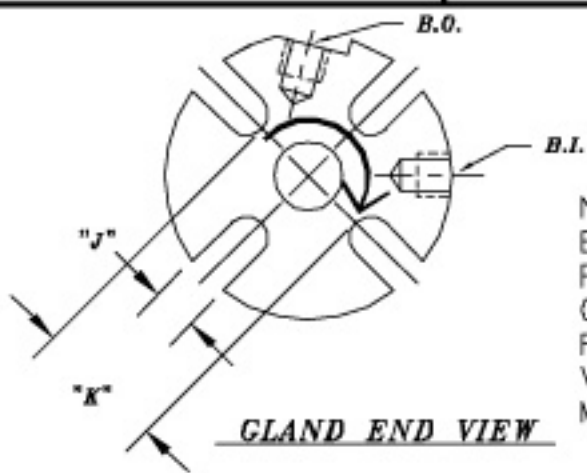
# STYLE 79

STATIONARY MULTI-SPRING  
DUAL TANDEM CARTRIDGE SEAL

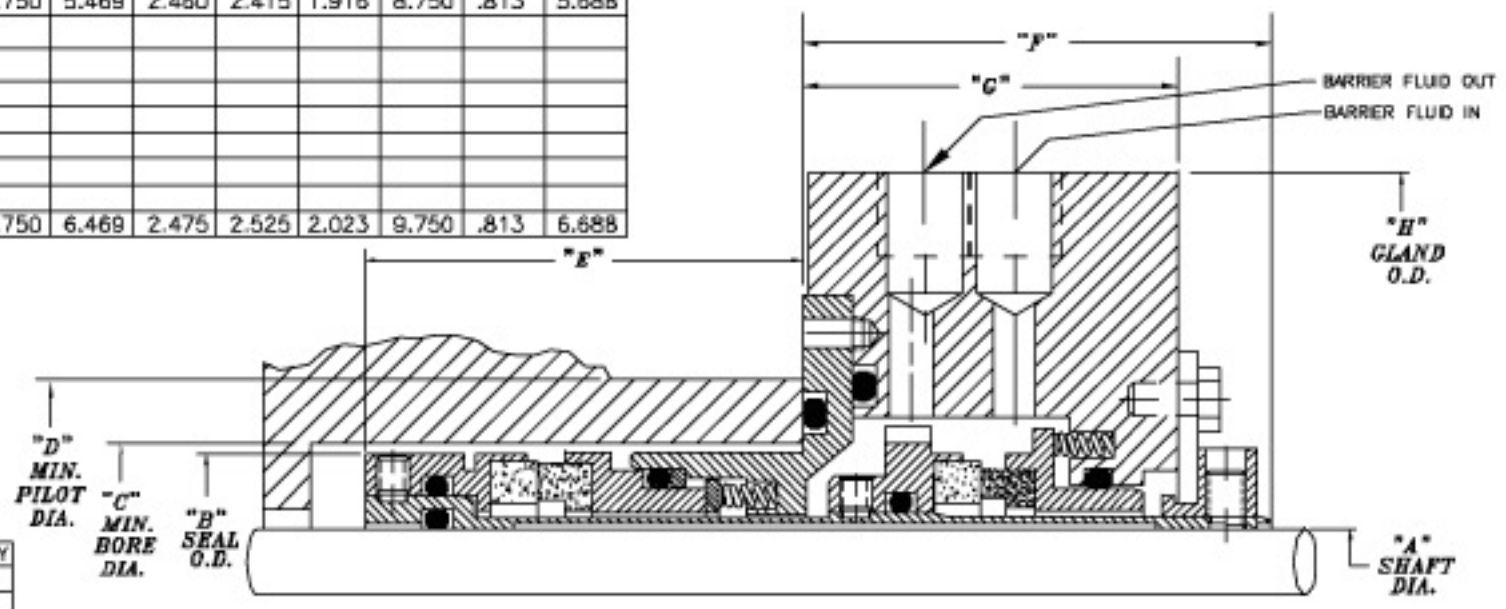
**FLEX-A-SEAL, INC**  
P.O. BOX 184 / 1 JACKSON ST.  
ESSEX JUNCTION, VT 05453  
(802)878-8337

**SK1113**

REV.  
3



NOTE: SEAL TO  
BE USED ON  
PUMP WITH  
CLOCKWISE  
ROTATION AS  
VIEWED FROM  
MOTOR END.



REV	EDN#	DATE	REV BY
2	941	4/3/01	JK
3	1431	4/7/04	TH