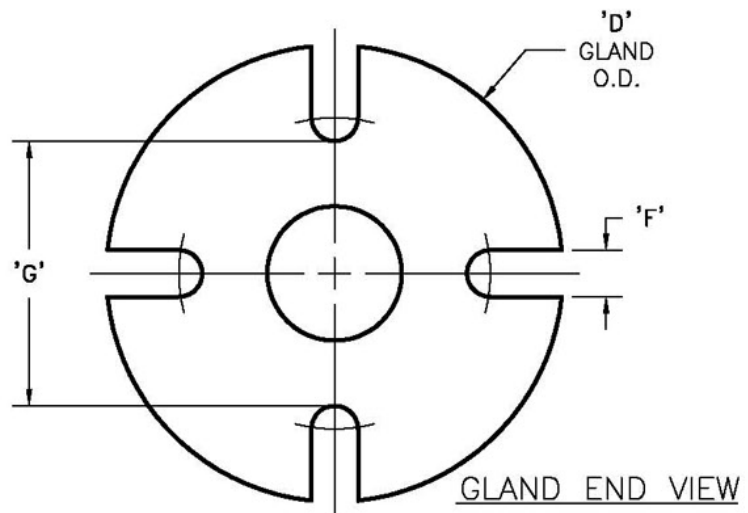
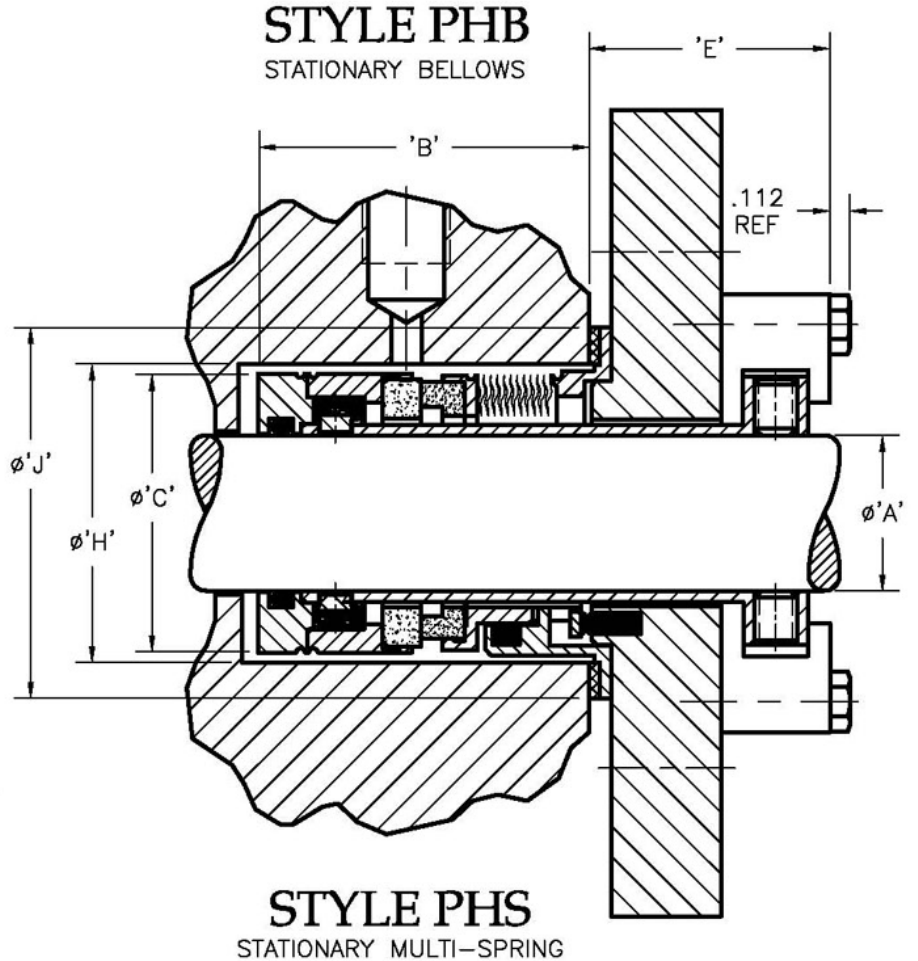


SIZE	A	B	C	D	E	F	G	GASKET	
								H	J
-16									
-18	1.125	1.900	1.700	4.250	1.387	.437	2.462	1.790	2.230
-20	1.250								
-22	1.375	1.900	1.950	4.250	1.387	.437	2.712	2.040	2.480
-24	1.500	1.900	2.200	4.500	1.387	.562	2.950	2.165	2.605
-26	1.625								
-28	1.750	1.900	2.450	5.500	1.387	.562	3.188	2.540	2.990
-30	1.875	1.900	2.575	5.500	1.387	.562	3.313	2.665	3.105
-32	2.000	1.894	2.700	5.500	1.407	.562	3.570	2.790	3.230
-34	2.125	1.894	2.825	6.000	1.407	.687	3.687	3.040	3.490
-36	2.250								
-38	2.375								
-40	2.500	1.914	3.320	6.500	1.453	.687	3.937	3.415	3.855
-42	2.625		3.560	6.500		.687	4.188	3.570	4.070
-44	2.750		3.650	7.500		.687	4.438	3.820	4.320
-46	2.875								
-48	3.000	2.018	3.900	8.000	1.711	.687	5.063	4.075	4.700
-50	3.125								
-52	3.250	2.043	4.175	8.250	1.550	.687	5.188	4.325	4.950
-54	3.375								
-56	3.500								
-58	3.625								
-60	3.750								
-62	3.875								
-64	4.000								



REV1: REVISED -40 SIZE, 'B' & 'E' DIMS.

PH CARTRIDGE SEALS STATIONARY WELDED BELLOWS OR MULTI-SPRING CARTRIDGE SEAL WITH PLAIN GLAND	 FLEX - A - SEAL	P.O. BOX 184 / 1 JACKSON ST. ESSEX JUNCTION, VT 05453 (802) 878-8307
	SK1683	REV. 1